



Australian National Kennel Council Ltd ABN 77 151 544 679 trading as Dogs Australia

REGULATIONS

PART 5

CONFORMATION SHOW

Effective
1 January 2024

Amended
June 2023
October 2023

CONTENTS

	<u>Page No.</u>
SECTION 1 – DEFINITIONS and CLASSES	4
1.1 Definitions	4
1.2 Classes for Exhibit at a Show	4
1.3 Special Classes	6
SECTION 2 Conformation Show	6
2.1 Eligibility	6
2.2 Schedules	7
2.3 Entries	7
2.4 Catalogues	8
2.5 Extreme Weather Policy	8
2.6 Conformation Ring	8
2.7 Use of Ramps/Tables (Added 06/23, 4.3. Effective 01/01/24)	8
SECTION 3 Responsibilities	10
3.1 Affiliates	10
3.2 Judge	10
3.3 Judging procedures	11
3.4 Stewards	12
3.5 Ticket Writers	12
SECTION 4 Exhibitors	12
4.1 Ownership Interest	12
4.3. Double Handling	13
SECTION 5 Groups	13
5.1 Classification of the Groups of Breeds of Dogs	13
SECTION 6 Neuter	14
6.1 Neuter Classes	14
SECTION 7 Order of Judging	14
7.1.1 Breed Classes	14
7.1.2 Best of Breed Judging	14
7.1.3 Neuter of Breed judging (where offered)	15
7.1.4 Best of Neuter of Breed judging (where offered)	15
7.1.5 Group Specials	16
7.1.6 Neuter Group Specials (where offered)	16
7.1.7 General Specials	17
7.1.8 Neuter General Specials (where offered)	17
7.2 Optional Order of Judging	18
SECTION 8	18
8.1 Alternative In-Group and In-Show Placing System	18
8.2 Breed Judging	18
8.3 Group/Show Judging	18
SECTION 9	19
9.1 Rules for the Conduct of FCI/CACIB Shows	19
9.2 Basics	19
9.3 Applications	19
9.4 Restrictions	20
9.5 Special Requirements / Admission of Dogs	20
9.6 Unclassified - Breeds not recognized by the FCI (Not eligible for CACIB) (Amended 02/23, 5.11 – Effective 01/07/23)	21
9.7 Classes (Amended 10/23, 9.2 – Effective 01/01/24)	22
9.8 Qualifications and Placings	22

9.9	Titles, Awards and Main Ring Competitions	23
SECTION 9A (Added 02/23, 5.12 – Effective 01/07/23)		24
9A.1	Rules for the Conduct of FCI - Asia, Africa and Oceania Section (AAOS) A2O Shows (NB These certificates are known as A2O [i.e., alpha, numeric, alpha] not A20 [i.e., alpha, numeric, numeric] certificates.)	24
9A.2	Basics	24
9A.3	Applications	24
9A.4	Restrictions	24
9A.5	Special Requirements / Admission of Dogs	25
9A.6	Titles, Awards and Main Ring Competitions - AAOS A2O CAC (Certificat d’Aptitude au Championnat)	25
9A.7	Requirements to obtain a AAOS A2O Title (All challenge winners may be awarded an A2OCS CAC but an application may not be made for an AAOS A2O Title unless the dog/bitch is a Champion)	25
SECTION 10		26
10.1	Prizes and Certificates	26
10.2	Awards & Titles	26
10.3	Challenge Certificates	26
10.4	Neuter Certificates	26
10.5	Championship Points System	27
10.6	Neuter Championship Points System	28
10.7	Grand Champion	29
10.8	Neuter Grand Champion	29
10.9	Supreme Champion	29
10.10	International Champion	29
10.11	Dogs Australia/FCI Title of International Beauty/Working/Show Champion (CIB/CIT/CIE).	29
SECTION 11		30
11.1	Disqualification from Conformation Exhibition	30
SECTION 12		31
12.1	Access to Exhibition Grounds	31
SECTION 13		31
13.1	Use of Firearms	31
SECTION 14		31
14.1	Use of Breed Standards at Shows	31
SECTION 15		31
15.1	Collars	31

SECTION 1 – DEFINITIONS and CLASSES

1.1 Definitions

- 1.1.1 **Best of Breed Certificate** - certificate awarded to the Best of Breed winning dog or bitch at Championship Shows.
- 1.1.2 **Challenge Certificate** - certificates awarded to the best dog and bitch of a Breed who is not the Best of Breed winner at Championship Shows at the discretion of the Judge
- 1.1.3 **Exhibition** – is defined to include any Conformation Show
- 1.1.4 **Championship Show** - a conformation show approved by a Dogs Australia member body to be judged by an approved Dogs Australia championship judge (including those overseas judges approved by Dogs Australia to judge at Australian fixtures) at which points may be awarded towards an exhibit's Australian Championship titles.
- 1.1.5 **Conformation Show** - a Show that is either an All Breeds Show, Championship Show, General Show, Open Show, Parade, Competition, Sanctioned Show or Specialist Show
- 1.1.5 **Open Show** - an open show approved by a Dogs Australia member body to be judged by trainee judges where no championship points can be awarded.
- 1.1.6 **Parade** - an approved conformation show at which exhibits have not accrued enough points for a "Champion" title, or have not yet applied for that title at the date entries close, where no championship points are to be awarded and to be judged by trainee judges.
- Note:** An Open Show and Parade is a means by which trainee judges can gain experience in ring craft and Clubs are to be encouraged to conduct them.
- 1.1.7 **Dog** – includes bitch where the context reasonably permits.
- 1.1.8 **Neuter** - A neuter is a dog or bitch that has been desexed either by castration or ovarian hysterectomy and is rendered infertile and is registered on the main register as neuter.

1.2 Classes for Exhibit at a Show

No Classes, for which points may be earned towards a Dogs Australia approved title, shall be offered at a show unless those points are to be awarded to all exhibits eligible to receive them under these regulations.

1.2.1 General Classes

Name	No.	Description
Baby Puppy	1	For dogs aged three and under six months. (Not eligible for Challenge)
Minor Puppy	2	For dogs aged six and under nine months.
Puppy	3	For dogs aged six and under twelve months.
Junior	4	For dogs aged nine and under eighteen months.
Intermediate	5	For dogs aged eighteen and under thirty-six months.
Novice	6	For dogs six months of age or over which have not won a First Prize at any Parade, Open Show or Championship Show. Baby puppy and Local classes excepted. (For the purpose of class (6) First Prizes won up to and including the day before the date of entry close in a Show only shall be taken into account but such restriction shall not apply in the case of a Special Prize for which more than one win is required).
Graduate	7	For dogs six months of age or over which have not won a Challenge Certificate up to and including the day before the date of entry close.

Limit	8	For dogs over twelve months of age which are not Champions, or have not gained sufficient points to qualify as a Champion, up to and including the day before the date of entry close.
State Bred	9	For dogs six months of age or over bred in the State or Territory in which they are exhibited.
Australian Bred	10	For dogs aged six months or over bred in Australia.
Open	11	For dogs aged six months or over and of a breed or variety recognized by Dogs Australia.
Veteran	12	7 years and over
Veteran	13	10 years and over
Bred by Exhibitor	14	For dogs aged six months and over. The exhibit must be owned and handled by the breeder of record. The exhibit must be handled throughout the breed classes, all group and general specials classes by the owner or part owner of the prefix under which the exhibit was originally registered.
Champion	21	(Competitive Class at CACIB Shows) The title must have been confirmed by the issue of a Registered Pedigree Certificate with the title added by the day of the official closing date of entries.

1.2.2 Neuter Classes

Name	No.	Description
Puppy Neuter	15	For neuter dogs aged six and under twelve months.
Junior Neuter	16	For neuter dogs aged nine and under eighteen months.
Intermediate Neuter	17	For neuter dogs aged eighteen and under thirty-six months.
Open Neuter	18	For neuter dogs aged six months or over.

Note 1: Bitch Classes For all of the above classes utilise the same number as dogs with addition of the letter A, e.g., 1A = Baby Puppy Bitch.

- 1.2.3 **Mandatory Classes** at all Conformation Shows (Excluding CACIB), Baby Puppy, Puppy and Open.
- 1.2.4 To calculate the age of dogs for entry into breed classes where the date of birth does not occur in the relevant month, the anniversary date is to be taken as the last date of that month, e.g. dogs born on 31 January will be eligible to enter the baby puppy class on 30th April.
- 1.2.5 Where an Affiliate conducts an Exhibition over two (2) or more days, the age of exhibits shall be calculated from the first day of the Exhibition.
- 1.2.6 If an Exhibition is postponed after the closing date for entries, then the age of the dogs entered in respect of class eligibility shall be computed to the original date of the Exhibition advertised in the Schedule.
- 1.2.7 Separate classes may be offered for Veterans at fixtures at specialist shows - 7 years and over; 10 years and over. Where only 1 Veteran class is offered it is to be class 12.
- 1.2.8 Only entire dogs and bitches can compete in the Veteran Classes at Specialist and Semi-Specialist Show where the winners are eligible to compete for Challenge Certificates.

1.2.9 Where Member Body regulations allow for Property and Special Classes at Specialty Shows, Neuter dogs and bitches shall be eligible to enter.

1.2.10 Colour classes are to count as one class for challenge provided that the colors are permitted in the authorised breed standard.

1.3 Special Classes

1.3.1 Special classes may be offered at approved conformation shows. These classes are for exhibition only and are not eligible for challenge points.

1.3.2 **Brace:** For two dogs each six months of age and over, of the same breed, each of which has competed in at least one other breed class or neuter class at the sanctioned show and each of which is registered in the same ownership and are handled in the judging ring by one person.

1.3.3 **Team:** For three or more dogs each six months of age and over of the same breed, each of which has competed in at least one other breed class or neuter class at the sanctioned show, and each of which is registered in the same ownership and are handled in the judging ring by the one person.

1.3.4 **Breeders Team:** Minimum of four dogs six months of age and over of the same breed, bred under one prefix each of which has competed in at least one other breed class or neuter class at the same approved show.

1.3.5 Progeny:

- a. Sire and progeny - entry to consist of the sire and a minimum of three of his progeny from at least two different dams.
- b. Dam and progeny – entry to consist of the dam and a minimum of three of her progeny sired by at least two different sires from two different litters.
- c. Sire's progeny entry to consist of a minimum of three progeny of the named sire from at least two different dams.
- d. Dam's progeny - entry to consist of a minimum of three progeny of the named dam sired by at least two different sires from two different litters.

1.3.6 **Sweepstakes classes:** May be held for champions or any class of dogs (Neuters maybe entered at Championship Shows where Neuter classes are not scheduled).

SECTION 2 Conformation Show

2.1 Eligibility

2.1.1 Dogs must be registered on the main register at the time of entry into a conformation show or be permitted to enter in accordance with Dogs Australia Regulations PART 6

2.1.2 Owner/s must be a financial member of a state member body and not under suspension at the time of entry or exhibition.

2.1.3 Handler/s must be a financial member/s, and not under suspension, of a state member body at the time of exhibition.

2.1.4 A person, who is not a resident of Australia and is able to provide written advice to the Secretary of the Affiliate conducting the event from the recognized Controlling Body of their Country of Residence that they are permitted to handle dogs at championship exhibitions held in that country, may handle at all competitions conducted by Member Bodies for a period of up to three months on each visit.

2.1.5 Suspended dogs and all dogs registered solely or in co-ownership to a suspended member are ineligible to enter and compete in conformation shows.

2.2 Schedules

2.2.1 Schedules and completed judge/s contract/s to be submitted using the approved format and in accordance with the member body requirements and timeframe.

2.2.2 Schedules to be advertised in member body journals or communication tool as per member body requirements.

EXAMPLE

DOGS SA

2.2.2 All Schedules are to be submitted to the DOGS SA office no less than 3 calendar months prior to the scheduled date of the event

2.3 Entries

2.3.1 Any official of any affiliate or any person accepting entries or persons presenting a catalogue must not divulge information as to the exhibits or exhibitors for any conformation show.

2.3.2 Entry to be on the approved Dogs Australia form or online and accompanied by the prescribed fee.

2.3.3 Any person making an entry agrees to be bound by the rules and regulations of Dogs Australia and member body.

2.3.4 Every person who enters a dog in any fixture conducted under these regulations shall be responsible for the correctness of details on the entry form. An affiliate shall not accept an entry that does not include all the details required by the entry form.

2.3.5 A dog entered in the incorrect class at a conformation show is to be moved to the lowest appropriate age class or open class if ineligible for an age class.

2.3.6 Missing entries will not be accepted unless proof of online entry can be provided to the affiliate on confirmation of proof of payment.

2.3.7 Infectious Diseases or Viruses **(Added 10/22, 5.13. Effective 01/01/23)**

a) If a dog has been in a kennel or premises affected with distemper, canine hepatitis, parvovirus or any other virulent contagious disease (except Kennel Cough), it shall not be permitted to attend any State Member Body event or grounds for a period of 12 weeks from the date of the first diagnosis or onset of symptoms.

b) If a dog has been in a kennel or premises affected with or diagnosed with Canine Cough (also referred to as Kennel Cough or Canine Infectious Respiratory Disease Complex) it shall not be permitted to attend any State Member Body event or grounds for a period of three weeks after the date of the first diagnosis or onset of symptoms.

- c) An event organiser or affiliate official may ask for a dog to be immediately removed from any State Member Body event or grounds if that dog is visibly unwell or showing symptoms of the contagious diseases listed in (a) or (b). This shall be recorded in the Representative's report.

2.4 Catalogues

2.4.1 As a minimum the catalogue must contain:

- a. In relation to the dog being entered:
- (i) Owners Name;
 - (ii) Registered name of dog;
 - (iii) Date of birth;
 - (iv) Sire; and
 - (v) Dam.
- b. General information to be contained in the catalogue:
- (i) Name of the Affiliate;
 - (ii) Date and start time of the show;
 - (iii) Location of event;
 - (iv) Judges name and group allocation and order of judging;
 - (v) Member body representative/show manager (Qld)/chief steward (WA)/ Event Manager (TAS)
 - (vi) Statement that the show is being conducted under the regulations and rules of Dogs Australia and member body.

2.4.2 An affiliate must retain a copy of the entry forms for a minimum of **three** months.

2.4.3 An affiliate must retain a marked catalogue and records for the event for a minimum of **12** months.

2.4.4 An affiliate must forward a copy of a marked catalogue to the state member body within the required time frame set by the state member body.

2.5 Extreme Weather Policy

2.5.1 All member bodies must have an extreme weather policy in their regulations.

2.6 Conformation Ring

2.6.1 The conformation judging ring shape and size should be proportionate to the size of dogs and entry for class, but must be a minimum of 20m x 20m in area. Minimum size may be altered with the approval of the member body.

2.6.2 Any equipment used in the formation of a conformation ring must meet minimum safety standards so no injury is caused to either an official or animal (e.g., trip hazards or sharp objects).

2.7 Use of Ramps/Tables (Added 06/23, 4.3. Effective 01/01/24)

2.7.1 A current list of table, ramp and ground judged breeds may be found on the Dogs Australia website.

2.7.2 Table Breeds

Designated table breeds must be examined on an examination table. When re-examining them, they must be placed back on the table. Only breeds designated as table breeds may be examined on the table.

2.7.3 Ramp Breeds

A judge requesting the use of a ramp must give notice to the show representative/show manager prior to judging. Dogs Australia/ member body approval is not required. Designated ramp breeds may be examined on the ground (table if applicable) or on a ramp during breed judging at the sole discretion of the judge and not the exhibitor. The entire entry in that breed is to be examined on the ground (table if applicable) or on a ramp. The ramp will be available at the discretion of the judge for all ramp optional breeds through all levels of competition including group and Best in Show judging.

2.7.4 Breeds designated as Table/Ramp optional breeds may be judged on either at the sole discretion of the judge and not the exhibitor. The entire entry in a breed is to be examined in the same manner.

2.7.5 All Other Breeds

Breeds not designated as either table or ramp breeds may only be examined on the ground.

2.7.6 Baby Puppies of any breed

Baby puppies may be examined on the ground, table or ramp at the discretion of the Exhibitor and Judge.

2.7.7 Guidelines for Construction of a Judging Ramp

Ramps acquired from date of implementation should conform to the following specifications.

Construction: Any stable material, including the use of folding legs if required.

Surface: non-slip such as; rubber-mat, artificial turf, outdoor carpet.

Weight: the weight any ramp shall not exceed 16kg (in accordance with WHS guidelines) except in the case where the ramp is mobile by form of attached wheels (can be pushed rather than carried or lifted).

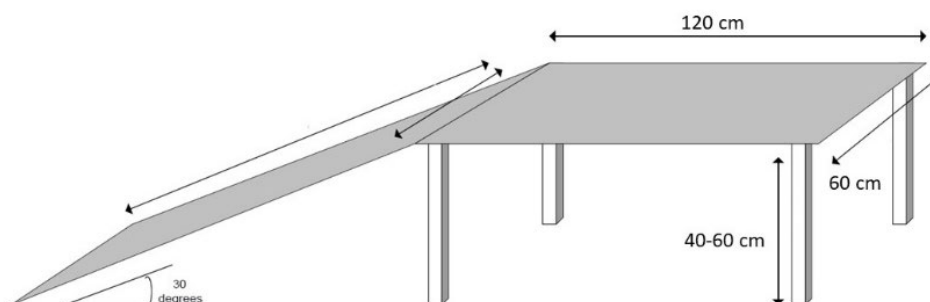
Dimensions

Length: 120 cm

Width: 60 cm

Height: 40 – 60 cm

Slope: no greater than 30°



NOTE: Please refer to Regulations Part 2 – Judges, Clause 1.4 in relation to the declaration contained on all Judges Application Forms, both new and renewal regarding fitness to judge.

SECTION 3 Responsibilities

3.1 Affiliates

- 3.1.1 An affiliate shall not appoint a judge to any conformation show unless that judge has been approved by Dogs Australia and has entered into an approved Dogs Australia contract.
- 3.1.2 Any change to the scheduled judge must be notified to the member body for approval and communicated to exhibitors as soon as possible.
- 3.1.3 Where the judge announced in the schedule is altered, except to the advertised reserve judge or the club has reserved the right to appoint a reserve judge, an exhibitor may withdraw their entry prior to the commencement of judging and be entitled to a refund of entry fees.
- 3.1.4 During the course of the conformation show if a scheduled judge is unable to complete his or her allocated judging because of illness or any other reason, the affiliate committee conducting the show may appoint a substitute judge. Refund of entry is at the discretion of the Affiliate.
- 3.1.5 Sufficient stewards are to be appointed by the affiliate.
- 3.1.6 The number of dogs any one judge may judge on any day (excluding Group and General Specials) is **250** exhibits, except in extenuating circumstances with the prior approval of the judge and the Member Body.
- 3.1.7 The responsibilities of the Member body representative / show manager (Qld) / chief steward (WA)/ Event Manager (TAS) shall be determined by the State Member body,

3.2 Judge

- 3.2.1 A Judge shall not enter or exhibit any dog at any Conformation Show at which he or she is appointed to judge.
- 3.2.2 A Judge shall not allow entries for a Conformation Show at which that person is judging to be received at the Judge's address.
- 3.2.3 A Judge must not duplicate assignments in the same breeds and or group within a minimum of **3** months of each other and within a minimum of **200** kilometers at Championship Shows irrespective of State boundaries. Note: This will not apply to Neuter only shows.
- 3.2.4 All judges must judge exhibits in accordance with their relevant Dogs Australia breed standard
- 3.2.5 **Declaration to be included on the judges contract**
"I undertake to abide by the Rules and Regulations of Dogs Australia Ltd and judge to its approved Breed Standards/Regulations/Rules and any Member Body regulations applicable to this assignment. I declare all information on this form is correct and if circumstances make the information inaccurate, I undertake to inform Dogs Australia forthwith.

I also declare I am physically fit and capable of judging in the normally accepted manner.

I acknowledge this is a continuing obligation and I undertake to notify the contracting affiliate should my health status impact upon my ability to judge in the normally accepted manner.” **(Amended 10/20, 7.5.8. Effective 01/01/21)**

- 3.2.6 Judges unable to fulfil appointments must notify the affiliate in writing.
- 3.2.7 A judge will excuse from the ring, any dog exhibited or handled by any person who has handled, or assisted as a runner, any dog owned, or part owned, leased or part leased by that judge within a period of **12** months.
- 3.2.8 A judge shall comply with the Dogs Australia Judges Code of Ethics at all times.

3.3 Judging procedures

- 3.3.1 **All Breeds Judging** is the method currently in practice for all breeds conformation events in Australia and the following is customary:
 - 3.3.1.1 Judging time should be not less than **30** catalogued dogs per hour.
 - 3.3.1.2 The judge checks dentition, overall conformation, entirety for males and movement within the above time frame.
(Note: Either an exhibitor may request permission from the judge to check the dentition of their dog or the judge may request the exhibitor to show the dogs dentition to the judge.)
 - 3.3.1.3 First, Second and Third places in each class are awarded where the judge is satisfied with the quality of the exhibits.
 - 3.3.1.4 Individual critiques are not dictated or written down during the judging.
 - 3.3.1.5 Gradings are not awarded.
- 3.3.2 **Specialist Breed Judging** is any form of judging performed by a judge on an individual/variety of breeds and which may entail each or any of the following: -
 - 3.3.2.1 Judging time may be slower than **30** dogs per hour.
 - 3.3.2.2 The judge checks dentition, overall conformation, entirety for males and movement within the above time frame.
(Note: Either an exhibitor may request permission from the judge to check the dentition of their dog or the judge may request the exhibitor to show the dogs dentition to the judge.)
 - 3.3.2.3 Individual critiques may be given.
 - 3.3.2.4 Gradings may be awarded.
 - 3.3.2.5 Class placings greater than First, Second and Third may be awarded.
 - 3.3.2.6 A breed may be judged in varieties i.e. colour/coat, other than those for which Challenge Certificates are awarded, however there will be only one challenge certificate per sex awarded for the breed.

3.4 Stewards

- 3.4.1 The regulations for appointments of stewards are the responsibility of the state member body.
- 3.4.2 Stewards shall not discuss exhibits and exhibitors with the judge or in the vicinity of the judge before or after the conformation show.
- 3.4.3 A steward is to assemble the exhibits for a class by calling the exhibit number in such a manner that the handler ought to have reasonably heard the call. Three calls are deemed to be sufficient notice. The onus is on the exhibitor to be present at the ring when required, and to wear the exhibit number applicable to the exhibit being handled.
- 3.4.4 An exhibit will be declared absent by the ring steward if its number has not been acknowledged and the exhibit is not present in the ring at the time when the ring steward consigns the class to the judge for the commencement of judging of that class. If a steward declares an exhibit absent the judge has no authority to override the steward's action.
- 3.4.5 Where a judge is adjudicating on an exhibit for the first time at an exhibition, the judge must examine the dog in accordance with Regulation 3.3. If a Judge defaults in complying with these regulations the ring steward is to immediately inform the Judge of the regulation. If a judge refuses again to comply with these regulations the steward is to bring the matter to the attention of the Club Committee as soon as practicable.

3.5 Ticket Writers

- 3.5.1 The appointment and operation of ticket writers shall be the responsibility of the state member body.

SECTION 4 Exhibitors

4.1 Ownership Interest

- 4.1.1 No person shall exhibit a dog in any sanctioned conformation exhibition at which a judge who is a member of the competitor's immediate family, or who resides at the same address, or who has had a proprietary interest in such dog whether solely or in partnership is scheduled to officiate
- 4.1.2 A person may not exhibit or handle under a judge officiating at a conformation show where:
 - a. The person is a member of the judge's family and/or resides at the same address as the judge.
 - b. The judge has or has had any ownership interest in a dog or dogs solely or in partnership with the member within a period of **12** months prior to the conformation show.
 - c. Where the judge has handled any dog owned, leased or part leased by the person within a period of **12** months prior to the conformation show.
 - d. The person has accommodated the judge or been accommodated by the judge within a period of **12** months prior to the conformation show or intends to accommodate the judge within **24** hours after the conformation show

- e. The judge has trained or groomed for reward, for gift or favour a dog owned, or part owned, leased or part leased by the person in a period of **12** months prior to the conformation show
- f. The dog was bred by the judge or the judge's family.
- g. For the purposes of these regulations the definition "handled" does not include any circumstance where a person has assisted another exhibitor who, due to a judging decision on the day, was required to compete with two or more exhibits at the same time. **(Clause 4.1.2 amended 10/22, 7.5.3. Effective 01/01/23)**

4.2 Handling and Control

- 4.2.1 Handling of dogs is to be done in a humane way that will not cause distress to the dog. In particular, lifting an exhibit from the ground to the table by means of head and tail is **not** permitted
- 4.2.2 A dog must be on a lead and under control at all times except within a designated off leash area while attending a conformation show.
- 4.2.3 No exhibitor should interfere with another exhibit whilst being shown.
- 4.2.4 All dogs entered for exhibition shall be allotted an exhibit number and the person handling such exhibit shall display such number clearly either on the left arm or the left side of the chest whilst the dog is being exhibited.
- 4.2.5 The exhibit number may provide additional information such as the affiliate name and date but shall not identify the exhibit, exhibitor or breeder.

4.3. Double Handling

- 4.3.1 Double handling is not permitted except at approved breed specialty shows or breed specialty judging where the following clause must be included in the show schedule; "Double Handling of *'Insert name of Breed'* is permitted at this Show".
- 4.3.2 Double handling includes attempts to gain the attention of the exhibit or exhibitor from outside of the judging precinct to gain an advantage in the showing of the dog.

SECTION 5 Groups

5.1 Classification of the Groups of Breeds of Dogs

- 5.1.1 Breeds to be listed under their common name in alphabetical order within the seven (7) Dogs Australia recognized groups of dogs (See Dogs Australia breed listing for details).

SECTION 6 Neuter

6.1 Neuter Classes

Neutered dogs and bitches shall be approved to compete at any Dogs Australia official Show, where the following neutered classes are offered.

- 6.1.1 Classes 15, 16, 17 & 18 shall be optional Classes at any Dogs Australia sanctioned show.
- 6.1.2 Classes 15, 16, 17 & 18 shall be ineligible to compete against entire exhibits for Challenge or Best of Breed awards.
- 6.1.3 Classes 15, 16, 17 & 18 shall be judged at breed level after Best of Breed and any Class elimination judging.
- 6.1.4 Classes 15, 16, 17 & 18 shall be judged at both Group and Show level immediately after General Classes.
- 6.1.5 Where only one (1) Neuter Class per sex is held at a show, that class shall be Open Neuter (classes 18/18a)
- 6.1.6 Only dogs or bitches registered with a Dogs Australia Member Body as a "neuter" on the main register shall be eligible to compete in either Class 15,16,17 or 18.

SECTION 7 Order of Judging

7.1 The official Dogs Australia judging sequence shall be followed by all Member Bodies, unless the procedure outlined in Section 5 of these Regulations is approved by a Member Body. The following sequence was adopted:

7.1.1 Breed Classes

- a. Judge all dog classes in breed in the order of Class 1, 2, 3, 4, 5, 6, 7, 8, 9, 10, 14, 11, 12, 13 and 21.
- b. Judge the dog challenge winner from the exhibits placed first, who are unbeaten, in each of the breed classes, excluding baby puppy.
- c. Judge the reserve challenge winner from the balance of class winning exhibits and the second-place winner from the class in which the challenge winner was entered.
- d. Repeat a, b and c in the bitch classes in breed.

Note. At all Shows, breeds and varieties shall not be intermingled.

7.1.2 Best of Breed Judging

- a. Judge Best of Breed from the challenge winning dog and bitch.
- b. The exhibit awarded Best of Breed shall automatically be declared the winner of the class in breed in which it is entered.

- c. Judge the Runner Up Best of Breed from the unsuccessful challenge winner in the Best of Breed competition and the exhibit awarded reserve challenge to the exhibit awarded Best of Breed.
- d. The exhibit awarded Runner Up Best of Breed shall automatically be declared the winner of the class in breed in which it is entered, provided the Best of Breed was not entered in the same class.
- e. Except for the awards automatically made in accordance with clauses b. and d., judge the best of breed of class immediately after the Runner Up Best of Breed is judged, from the class winners of each sex within that breed. Only the exhibits awarded Best of Class of breed shall be eligible to compete for Best of Class of group.
- f. Repeat the above procedure for each breed within the group.

7.1.3 Neuter of Breed judging (where offered)

Neuter judging is to be completed at the completion of normal breed judging

- a. Judge all neuter dog classes in breed
- b. Judge the neuter dog certificate winner from the exhibits placed first, who are unbeaten, in each of the breed classes
- c. Judge the reserve certificate winner from the balance of class winning exhibits and the second-place winner from the class in which the certificate winner was entered
- d. Repeat 1, 2 and 3 in the bitch classes in breed.

7.1.4 Best of Neuter of Breed judging (where offered)

Is to be conducted after all Class run-offs for the Breed have been completed

- a. Judge Best Neuter of Breed from the certificate winning dog and bitch.
- b. The exhibit awarded Best Neuter of Breed shall automatically be declared the winner of the class in breed in which it is entered.
- c. Judge the Runner Up Best Neuter of Breed from the unsuccessful certificate winner in the best neuter of breed competition and the exhibit awarded reserve certificate to the exhibit awarded Best Neuter of Breed.
- d. The exhibit awarded Runner Up Best Neuter of Breed shall automatically be declared the winner of the class in breed in which it is entered. Provided, the Best Neuter of Breed was not entered in the same class.
- e. Except for the awards automatically made in accordance with clauses b and d, judge the Best Neuter of Breed of class immediately after the Runner Up Best Neuter of Breed is judged, from the class winners of each sex within that breed. Only the exhibits awarded Best Neuter of Class of breed shall be eligible to compete for Best Neuter of Class of group.
- f. Repeat the above procedure for each breed within the group.

7.1.5 Group Specials

Judged after completion of all Breed Classes in Group Specials

- a. Judge Best in Group from the Best of Breed winning exhibits only.
- b. The exhibit awarded Best in Group shall automatically be declared the winner of the Class in Group award in which it was entered.
- c. Judge Runner Up Best in Group from the balance of the Best of Breed winners and the exhibit awarded Runner Up to the Best of Breed exhibit awarded Best in Group.
- d. The exhibit awarded Runner Up Best in Group shall automatically be declared the winner of the Class in Group award in which it is entered provided the Best in Group winner was not entered in the same class.
- e. Applicable at Royal Shows only, where the award is offered, judge Best Opposite Sex in Group from the challenge winning exhibits of the opposite sex to the exhibit awarded Best in Group, provided that if the Runner Up Best in Group is eligible to compete for this award it shall automatically be declared the winner. *This award may only be offered at Royal Shows.*
- f. The exhibits of the same sex as the Best Opposite Sex in Group, and any exhibit previously beaten by an exhibit of the same sex as the Best Opposite Sex in Group, are not eligible to compete for the Best of Class In Group award for which the Best Opposite Sex in Group was entered. *This clause only applies at Royal Shows where the award Best Opposite Sex in Group has been offered.*
- g. Except for the awards automatically made in accordance with Clauses a. and d., and the requirements of Clause f., judge Best in Class in Group awards from the respective Best of Breed class winners.

7.1.6 Neuter Group Specials (where offered)

Judged as above after completion of all other In Show Classes

- a. Judge Best Neuter in Group from the Best Neuter of Breed winning exhibits only.
- b. The exhibit awarded Best Neuter in Group shall automatically be declared the winner of the Class in Group award in which it was entered.
- c. Judge Runner Up Best Neuter in Group from the balance of the best neuter of breed winners and the exhibit awarded runner up to the Best Neuter of Breed exhibit awarded Best in Group.
- d. The exhibit awarded Runner Up Best Neuter in Group shall automatically be declared the winner of the Class in Group award in which it is entered, provided the Best Neuter in Group winner was not entered in the same class.
- e. Applicable at Royal Shows only, where the award is offered, judge Best Opposite Sex Neuter in Group from the certificate winning exhibits of the opposite sex to the exhibit awarded Best Neuter in Group, provided that if the Runner Up Best Neuter in Group is eligible to compete for this award it shall automatically be declared the winner. *This award may only be offered at Royal Shows.*

- f. The exhibits of the same sex as the Best Opposite Sex Neuter in Group and any exhibit previously beaten by an exhibit of the same sex as the Best Opposite Sex Neuter in Group are not eligible to compete for the Best of Neuter Class In Group award for which the Best Opposite Sex Neuter in Group was entered. *This clause only applies at Royal Shows where the award Best Opposite Sex Neuter in Group has been offered.*
- g. Except for the awards automatically made in accordance with Clauses b and d, and the requirements of Clause f, judge Best in Class in Group awards from the respective Best of Breed class winners.

7.1.7 General Specials

- a. Judge Best in Show from the Best in Group winning exhibits only.
- b. The exhibit awarded Best in Show shall automatically be declared the winner of the Class in Show award in which it was entered.
- c. Judge Runner Up Best in Show from the balance of the Best in Group winners and the exhibit awarded Runner Up to the Best in Group exhibit awarded Best in Show.
- d. The exhibit awarded Runner Up Best in Show shall automatically be declared the winner of the Class in Show award in which it is entered, provided the Best in Show winner was not entered in the same class.
- e. Applicable at Royal Shows only, where the award is offered, judge Best Opposite Sex in Show from the Group winning exhibits and the Opposite Sex in Group winning exhibits, which are of the opposite sex to Best in Show, provided that if the Runner Up Best in Show is eligible to compete for this award it shall automatically be declared the winner. *This award may only be offered at Royal Shows.*
- f. The exhibits of the same sex as the Best Opposite Sex in Show and any exhibit previously beaten by an exhibit of the same sex as the Best Opposite Sex in Show are not eligible to compete for the Best of Class in Show award for which the Best Opposite Sex in Show was entered. *This clause only applies at Royal Shows where the award Best Opposite in Show has been offered.*
- g. Except for the awards automatically made in accordance with clauses b and d, and the requirements of clause f, judge Best in Class in Show awards from the respective Best in Group class winners.

7.1.8 Neuter General Specials (where offered)

- a. Judge Best Neuter in Show from the Best Neuter in Group winning exhibits only.
- b. The exhibit awarded Best Neuter in Show shall automatically be declared the winner of the Class in Show award in which it was entered.
- c. Judge Runner Up Best Neuter in Show from the balance of the Best Neuter in Group winners and the exhibit awarded Runner Up to the Best Neuter in Group exhibit awarded Best Neuter in Show.
- d. The exhibit awarded Runner Up Best Neuter in Show shall automatically be declared the winner of the Class in Show award in which it is entered, provided the Best Neuter in Show winner was not entered in the same class.

- e. Applicable at Royal Shows only where the award is offered, judge Best Opposite Sex Neuter in Show from the Group winning exhibits and the Opposite Sex Neuter in Group winning exhibits, which are of the opposite sex to Best Neuter in Show. Provided that if the Runner Up Best Neuter in Show is eligible to compete for this award it shall automatically be declared the winner. *This award may only be offered at Royal Shows.*
- f. The exhibits of the same sex as the Best Opposite Sex Neuter in Show and any exhibit previously beaten by an exhibit of the same sex as the Best Opposite Sex Neuter in Show are not eligible to compete for the Best of Class Neuter in Show award for which the Best Opposite Sex Neuter in Show was entered. *This clause only applies at Royal Shows where the award Best Opposite Neuter in Show has been offered.*
- g. Except for the awards automatically made in accordance with clauses b and d, and the requirements of clause f, judge Best in Class in Show Neuter awards from the respective Best in Group Neuter class winners.

7.2 Optional Order of Judging

At Specialist and Semi Specialist Club's Championship and Open Shows the order of judging shall be optional, provided the order of judging is published in the Show Schedule.

- 7.3 Once a Class in Breed, Group or Show has been judged it may not be re-judged.

SECTION 8

8.1 Alternative In-Group and In-Show Placing System

(Alternative for Shows that only offer Best Baby Puppy, Best Puppy in Group/Show, Best Neuter in Group/Show (if offered) and Best Exhibit in Group/Show)

8.2 Breed Judging

- 8.2.1 Breed judging shall be conducted in the same manner as the existing system to select Best of Breed, R/U Best of Breed, Best Baby Puppy of Breed, Best Puppy of Breed and Best Neuter of Breed (if offered). No other breed classes are required

8.3 Group/Show Judging

- 8.3.1 Only Best Baby Puppy in Group, Best Puppy in Group and Best Neuter in Group (if offered) awards will be offered. Therefore, only exhibits that have won Best Baby Puppy and Best Puppy of Breed and Best Neuter of Breed are eligible to compete for the awards
- 8.3.2 Only Best Baby Puppy in Show, Best Puppy in Show and Best Neuter in Show (if offered) awards will be offered. Therefore, only Best Baby Puppy and Best Puppy in Group and Best Neuter in Group winners are eligible to compete for the awards.
- 8.3.3 Only exhibits that have won Best of Breed awards are eligible to compete for Best Exhibit in Group awards 4th, 3rd, 2nd and 1st, subject to the provision of Regulation (8.2).
- 8.3.4 Only exhibits which have won Best Exhibit in Group shall be eligible to compete for Best Exhibit in Show awards 2nd and 1st, subject to the provision of Regulation (8.3.5).

- 8.3.5 The sequence of judging Best Exhibit in Group and Best Exhibit in Show awards shall be in the following order:
- a. Best Exhibit in Group, placed in the order of 4th, 3rd, 2nd, 1st
 - b. Best Baby Puppy in Group
 - c. Best Puppy in Group
 - d. Best Neuter in Group (if offered)
 - e. Best Exhibit in Show, placed in the order of 2nd, 1st.
 - f. Best Baby Puppy in Show
 - g. Best Puppy in Show
 - h. Best Neuter in Show (if offered)
- 8.3.6 Where a puppy is awarded a Best in Group/Best in Show placing in accordance with 8.3.5 a or e, the highest placed puppy shall be awarded Best Puppy in Group/Best Puppy in Show and there shall be no elimination.

SECTION 9

9.1 Rules for the Conduct of FCI/CACIB Shows

- 9.1.1 This part of the Regulations is applicable only in respect of those dog shows in which a "Certificat d'Aptitude au Championnat International de Beauté de la FCI" (CACIB), award for the title "International Beauty Champion" can be awarded.
- 9.1.2 At an FCI/CACIB show Dogs Australia Challenge Certificates, in group and in show awards counting towards Australian Championship titles will also be awarded.
- 9.1.3 For these events a fee is charged by the FCI for every dog appearing in the catalogue, the amount of which is to be determined by the General Assembly of the FCI. This fee is due on receipt of the catalogues and the CACIB/Res-CACIB lists of the show in question. This fee must be paid even if no CACIB-awards are granted. It is the responsibility of the Member Body or Affiliate conducting the show to ensure that this fee is paid.

9.2 Basics

- 9.2.1 In accordance with the FCI Associate Member Agreement, Dogs Australia will conduct a minimum of 2 (two) CACIB Shows per year. Dogs Australia will consider all applications received from any Member Body of Dogs Australia or an affiliate.
- 9.2.2 Dogs Australia are solely responsible for determining at which dog shows in Australia the competitions for the CACIB can be held. These shows, which will also have been sanctioned by the FCI, must be indicated and designated as follows: "International Dog Show with attribution of the CACIB of the FCI". The catalogue of these shows must be clearly marked with the FCI-logo and the following expression: "Fédération Cynologique Internationale (FCI)".

9.3 Applications

- 9.3.1 Applications to hold a CACIB International Dog Show sanctioned by Dogs Australia and subsequently by the FCI, must be sent in the first instance to the Member Body of Dogs Australia where the show is planned to be held no later than **18** months prior to the intended show date and, if the application is supported by that Member Body, is then to be forwarded to Dogs Australia for consideration. If approved by Dogs Australia the application is then to be forwarded to the General Secretariat of the FCI no later than

12 months prior, and no earlier than **four** calendar years prior, to the proposed date of the show. Applications must be accompanied by the Application Fee. The application fee will be refunded if the application is not approved. **(Clause 9.3.1 Amended 02/23, 5.11 – Effective 01/07/23)**

9.4 Restrictions

- 9.4.1 Only one CACIB can be awarded in each sex, in every recognised breed and breed variety - in accordance with the FCI Breed Nomenclature- on the same day and at the same place.
- 9.4.2 No other CACIB show can be held the same days as a World or Section show takes place on that particular continent. Exceptional cases will be dealt with by the FCI General Committee.
- 9.4.3 If a show has to be cancelled because of *force majeure* or extreme weather conditions a refund of the entry fees that have been paid shall be based on the member bodies own existing rules. The FCI will only authorize CACIB shows to be held on the same day provided that these events are held at a distance of at least **300** km. In case this distance is less than **300** km the approval can be given provided that the organiser who first submitted an application gives his consent to the second applicant. In this case appropriate dividing up of the FCI groups according to the FCI Breed Nomenclature, taking the show venues and days into consideration, is recommended.
- 9.4.4 At CACIB shows a breed must be judged, if possible, in one single day and the breeds of the same FCI group should also be judged in one day. However, it is possible to divide the groups over two days if needed for organisational reasons. The decision regarding sanctioning CACIB shows is the responsibility of the Executive Director of the FCI.

9.5 Special Requirements / Admission of Dogs

- 9.5.1 The dogs' welfare and health must be of **UTMOST PRIORITY** at all dog shows.
- 9.5.2 The organisers are requested to add the following message in the show catalogue, giving it sufficient visibility: *The exhibitors are responsible for the welfare of the dogs at an FCI international dog show. It is forbidden to expose a dog to a situation that can be dangerous for its health and welfare, such as for example leaving it in the car in excessively hot or cold weather and/or treating it in a cruel manner.*
- 9.5.3 The organisers must ensure that the only breeds that will be shown are those for which breed standards have been definitively or provisionally accepted by the FCI and which are registered with the studbook or with the appendix to the studbook (waiting list) of an FCI member country. The same will apply to a non-FCI member country whose studbook is, however, recognized by the FCI. Breeds that are not yet recognised (neither definitively nor provisionally) by the FCI, must be recognized at a national level and have pedigrees issued by a national kennel club that is a member or a contract partner of the FCI. These breeds cannot be incorporated in any group (they have to appear in a special section of the catalogue called "breeds not recognised by the FCI") and they are not eligible for the CACIB and for the various FCI titles. In addition, they cannot compete in the Best in Group finals. The normal FCI fee has to be paid also for each dog of these breeds. At all shows in which the CACIB of the FCI is awarded, the division into groups must be in accordance with the current FCI Breed Nomenclature.

In case this ruling would not be observed, the FCI reserves the right to refuse future authorizations to award the CACIB at international shows.

9.5.4 These groups are as follows:

- a. **Group 1** Sheepdogs and Cattle- Dogs (except Swiss Cattle Dogs)
- b. **Group 2** Pinschers and Schnauzers – Molossoid Breeds - Swiss Mountain and Cattle Dogs
- c. **Group 3** Terrier Group
- d. **Group 4** Dachshunds
- e. **Group 5** Spitz and Primitive Types
- f. **Group 6** Scenthounds and related breeds
- g. **Group 7** Pointing dogs
- h. **Group 8** Retrievers – flushing dogs – water dogs
- i. **Group 9** Companion and toy dogs
- j. **Group 10** Sighthounds

Note: For the specific breeds listed in each group refer to the FCI web site.

9.5.5 At all shows with few entries the organisers are permitted to have different groups judged together in the ring of honour for “Best in Group” competitions; however, this does not apply to World and Section Shows.

9.5.6 In accordance with the above provision, at FCI/CACIB Shows conducted in Australia the following combined groups may be utilised:

- a. **Group 1** Sheepdogs and Cattle- Dogs (except Swiss Cattle Dogs)
- b. **Group 2** Pinschers and Schnauzers – Molossoid Breeds - Swiss Mountain and Cattle Dogs
- c. **Group 3** Terrier Group
- d. **Combined Group 4** Dachshunds **Group 6** Scenthounds and related breeds
Group 10 Sighthounds
- e. **Group 5** Spitz and Primitive Types
- f. **Combined Group 7** Pointing dogs **Group 8** Retrievers – Flushing dogs – Water dogs
- g. **Group 9** Companion and Toy dogs

9.5.7 In accordance with the terms of the Associate Membership between Dogs Australia and FCI all Dogs Australia CACIB shows are to be conducted under FCI regulations including group nomenclature and breed standards for the duration of the event.

**9.6 Unclassified - Breeds not recognized by the FCI (Not eligible for CACIB)
(Amended 02/23, 5.11 – Effective 01/07/23)**

9.6.1 Breeds not definitively recognised by the FCI may be awarded an Australian Challenge (Best of Breed). A schedule of these breeds will be maintained on the Dogs Australia Website. **(Amended 02/23, 5.11 – Effective 01/07/23)**

9.7 Classes (Amended 10/23, 9.2 – Effective 01/01/24)

9.7.1 Only the following classes are recognized at Dogs Australia /CACIB shows sanctioned by the FCI:

a. Classes ineligible for the CACIB to be awarded: (Amended 02/23, 5.11 – Effective 01/07/23)

- Class 1 Baby Puppy For dogs aged three and under six months.
- Class 2 Minor Puppy For dogs aged six and under nine months.
- Class 3 Puppy For dogs aged six and under twelve months.
- Class 12 Veteran For dogs aged eight years and over. (Added 02/23, 5.11 – Effective 01/07/23)

b. Classes eligible for the CACIB: (Amended 02/23, 5.11 – Effective 01/07/23)

- Class 4 Junior For dogs aged nine and under eighteen months. (providing the winner is over 15months of age)
- Class 5 Intermediate For dogs aged eighteen and under thirty-six months.
- Class 11 Open For dogs 15 months and over that are not Champions
- Class 21 Champion To enter a dog in Champion Class, the title must have been confirmed by the issue of a Registered Pedigree Certificate with the title added by the day of the official closing date of entries.

Note: A Champion that has not attained 15 months of age may not be awarded a CACIB.

c. Class in which the FCI-CACIB-J can be awarded: (Added 02/23, 5.11 – Effective 01/07/23)

- Class 4 Junior For dogs aged nine to less than eighteen months.

d. Class in which the FCI-CACIB-V can be awarded: (Added 02/23, 5.11 – Effective 01/07/23)

- Class 12 Veteran For dogs aged eight years and over. No other classes may be offered at CACIB Shows. (Added 02/023, 5.11 – Effective 01/07/23)

No other classes may be offered at CACIB Shows. **(Added 02/023, 5.11 – Effective 01/07/23)**

9.8 Qualifications and Placings

9.8.1 The qualifications given by the judges must correspond to the following definitions:

- a. **EXCELLENT** may only be awarded to a dog over **9** months of age which comes very close to the ideal standard of the breed, which is presented in excellent condition, displays a harmonious, well-balanced temperament, is of high class and has excellent posture. Its superior characteristics in respect of its breed permit that minor imperfections can be ignored; it must however have the typical features of its sex.
- b. **VERY GOOD** may only be awarded to a dog over **9** months of age that possesses the typical features of its breed, which has well-balanced proportions and is in correct condition. A few minor faults may be tolerated. This award can only be granted to a dog that shows class.

- c. **GOOD** is to be awarded to a dog over **9** months of age that possesses the main features of its breed. The good points should outweigh the faults so that the dog can be considered a good representative of its breed.
 - d. **SUFFICIENT** should be awarded to a dog which corresponds adequately to its breed, without possessing the generally accepted characteristics or whose physical condition leaves a lot to be desired.
- 9.8.2 The four best dogs in each class are placed provided that they have been awarded at least the qualification “**VERY GOOD**”.

9.9 Titles, Awards and Main Ring Competitions

9.9.1 CACIB – Certificat d’Aptitude au Championnat International de Beauté de la FCI

9.9.1.1 The only dogs which can be taken into consideration for the CACIB are the 1st Place Winners who have been awarded “EXCELLENT” in Junior, Intermediate, Open, and Champion class and are **over 15** months of age.

9.9.1.2 The Reserve CACIB is awarded to the second-best dog which was given the qualification “EXCELLENT” from the above-mentioned classes. The dog placed second in the class where the CACIB winner comes from can compete for the Reserve CACIB, if awarded excellent. It is not compulsory to award the Reserve CACIB.

9.9.1.3 As the Dogs Australia Challenge Certificate is a national award, Dogs Australia Regulations decide in which classes and to which dogs this certificate can be awarded.

9.9.2 Judging Procedure for “International Dog Shows with attribution of the CACIB of the FCI”.

9.9.2.1 The 1st Placed Dogs in Minor Puppy, Puppy, Junior, Intermediate, Open and Champion will compete for the Dogs Australia Challenge Certificate, if the dog that is awarded the Challenge Certificate is **15** months of age or over it will automatically receive the CACIB, providing that it has been graded Excellent.

9.9.2.2 If the Challenge Winner is from the Minor or Puppy Class the 1st placed dogs in Junior, Intermediate, Open and Champion will compete for the CACIB providing that they have been graded excellent and in the case of the junior is over **15** months of age.

9.9.3 Best of Breed (BOB)

9.9.3.1 The Challenge winner from both sexes, will compete for Best of Breed (BOB).

9.9.3.2 The Class in Breed awards will be conducted as at Dogs Australia Championship Shows; the BOB will Automatically take the award for their respective class.

9.9.3 Best in Group

9.9.3.1 The Best of Breeds will compete for Best in Group with the exception of those breeds listed at 9.6.1.

9.9.3.2 The Best in Group judging will be conducted in accordance with Sections 7 and 8 respectively depending on the method of judging utilised.

9.9.4 Best in Show

9.9.4.1 The best in groups will compete for Best in Show.

9.9.4.2 The Best in Show Judging will be conducted in accordance with Sections 7 and 8 respectively depending on the method of judging utilised

SECTION 9A (Added 02/23, 5.12 – Effective 01/07/23)

9A.1 Rules for the Conduct of FCI - Asia, Africa and Oceania Section (AAOS) A2O Shows (NB These certificates are known as A2O [i.e., alpha, numeric, alpha] not A20 [i.e., alpha, numeric, numeric] certificates.)

9A.1.1 This part of the Regulation is applicable only in respect of those dog shows in which a A2O CAC may be awarded.

9A.1.2 Shows at which A2O CAC's may be awarded will be conducted in accordance with Sections 7 & 8 of this Regulation.

9A.1.3 For these events a fee is charged by the FCI- AAOS for every dog appearing in the catalogue, the amount of which is to be determined by the AAOS of FCI. This fee is due on receipt of the catalogue and the CAC lists of the show in question. This fee must be paid even if no CAC awards are granted. It is the responsibility of the Member Body or Affiliate conducting the show to ensure that this fee is paid.

9A.2 Basics

9A.2.1 A maximum of four A2O shows may be held by each Member (each State or Territory) in a calendar year.

9A.2.2 Dogs Australia are solely responsible for determining at which dog shows in Australia the competitions for the A2O CAC's can be held. These shows, which will also have been sanctioned by the AAOS. The catalogue of these shows must be clearly marked with the AAOS logo.

9A.3 Applications

9A.3.1 Applications to hold a AAOS A2O show sanctioned by ANKC Ltd, and subsequently by the AAOS, must be sent in the first instance to the Member Body of ANKC Ltd where the show is planned to be held no later than **18** months prior to the intended show date and, if the application is supported by that Member Body, is then to be forwarded to ANKC Ltd for consideration. If approved by ANKC Ltd the application is then to be forwarded to the Secretariat of AAOS no later than 12 months prior, and no earlier than **four** calendar years prior, to the proposed date of the show. Each application must be accompanied by the application fee. This fee will be refunded if the application is not approved. The timelines in this Section shall not come into force until 1st January 2024.

9A.4 Restrictions

9A.4.1 Only one A2O CAC can be awarded in each sex, in every breed classified as definitive by FCI, in accordance with the FCI Breed Nomenclature- on the same day and at the same place. Note that breeds recognized by Dogs Australia but not on the FCI Definitive Breed list may receive CC's but not CACs.

9A.4.2 If a show has to be cancelled because of *force majeure* or extreme weather conditions a refund of the entry fees that have been paid shall be based on the member bodies own existing rules. The AAOS levy will still be required to be paid.

9A.5 Special Requirements / Admission of Dogs

9A.5.1 The dogs' welfare and health must be of **UTMOST PRIORITY** at all dog shows.

9A.5.2 The organisers are requested to add the following message in the show catalogue, giving it sufficient visibility: *The exhibitors are responsible for the welfare of the dogs at an AAOS A2O dog show. It is forbidden to expose a dog to a situation that can be dangerous for its health and welfare, such as for example leaving it in the car in excessively hot or cold weather and/or treating it in a cruel manner.*

9A.6 Titles, Awards and Main Ring Competitions - AAOS A2O CAC (Certificat d'Aptitude au Championnat)

9A.6.1 The best Dog and Bitch of FCI definitively recognized breeds which are awarded challenge certificates under Sections 7 or 8 shall be awarded the A2O CAC.

9A.6.2 The Reserve CAC is awarded to the second-best dog or bitch which received a Reserve Challenge Certificate. It is not compulsory to award the Reserve CAC.

9A.6.3 As the ANKC Challenge Certificate is a national award, ANKC Regulations decide in which classes and to which dogs this certificate can be awarded.

9A.7 Requirements to obtain a AAOS A2O Title (All challenge winners may be awarded an A2OCS CAC but an application may not be made for an AAOS A2O Title unless the dog/bitch is a Champion)

9A.7.1 To obtain the title of Asia, Africa & Oceania Champion: A dog/bitch who is already a Champion of an FCI member country, must win **FOUR** A2OCS CAC dog/bitch with at any A2OCS anywhere within the FCI Asia, Africa & Oceania Section. A dog/bitch may obtain the A2OCS CACs in the same country to attain this title.

9A.7.2 To obtain the title of Asia, Africa & Oceania Grand Champion: A dog/bitch who is already a Champion of an FCI member country, must win **EIGHT** A2OCS CAC dog/bitch at any A2OCS anywhere within the FCI Asia, Africa & Oceania Section. At least **TWO** of the Eight A2OCS CAC **MUST** be won in two different FCI Asia-Pacific Section countries for the dog to qualify for this title. Each Member shall be treated as a separate Country.

9A.7.3 To obtain the title of Asia, Africa & Oceania Supreme Champion: A dog/bitch who is already a Champion of an FCI member country, must win **TWELVE** A2OCS CAC dog/bitch at any A2OCS anywhere within the FCI Asia, Africa & Oceania Section **PLUS** win a BIS1 (Best in Show 1) at an A2OCS. At least **THREE** of the Twelve A2OCS CAC **MUST** be won in three different FCI Asia, Africa & Oceania Section countries for the dog to qualify for this title. Each Member shall be treated as a separate Country.

SECTION 10

10.1 Prizes and Certificates

10.1.1 Prizes and ribbons are to be awarded under the guidelines of the state member body.

10.1.2 Minimum certificates for breed and neuter conformation shows:

- a. Challenge
- b. Best of breed
- c. Best in group
- d. Runner up in group
- e. Best in show
- f. Runner up in show

10.1.3 Certificates are **not** to be made available until the dog is eliminated from further competition.

10.1.4 All certificates must be the official Dogs Australia certificates purchased from the state member body

10.2 Awards & Titles

10.2.1 Where a financial member of a Dogs Australia Member Body competes at an approved event, whether All Breeds or Specialist Breed, that financial member shall be entitled to compete for any normally recognized 'in show' and/or 'in group' award.

10.2.2 Where a first place is not awarded, at class level, then all other placings must be withheld.

10.3 Challenge Certificates

10.3.1 Where a Challenge Certificate winner is found to be ineligible for the Challenge award, the Reserve Challenge winner shall be awarded the Challenge and points, less one for the ineligible exhibit.

10.3.2 Where a Best of Breed winner does not compete for Best Exhibit in Group or Best Exhibit in Show for which it is eligible, the Best of Breed Challenge Certificate shall be **cancelled** and not reallocated.

10.4 Neuter Certificates

10.4.1 Where a Neuter Certificate winner is found to be ineligible for the award; the Reserve winner shall be awarded the Certificate and points, less one for the ineligible exhibit.

10.4.2 Where a Best Neuter of Breed winner does not compete for Best Neuter Exhibit in Group or Best Neuter Exhibit in Show for which it is eligible, the Neuter Best of Breed Certificate shall be **cancelled**.

10.5 Championship Points System

10.5.1 The owner of a dog registered with Dogs Australia which:

- a. Wins not fewer than four Challenge Certificates/Best of Breed Certificates under not fewer than four different Judges at four different championship shows; and
- b. Gains a total of 100 points; may apply for such dog to be known as a Champion.

10.5.2 Points shall be allotted for exhibits six (6) months of age and over exhibited in a General Class as follows:

- a. **Challenge Certificate winner – Dogs and Bitches**
Five (5) points plus one (1) point for each dog of the breed over the age of six months exhibited at the fixture.
- b. **Best of Breed Certificate winner**
Five (5) points plus one (1) point for each dog and bitch of the breed over the age of six months exhibited at the fixture.
- c. **Best in Group winner**
Each winner of the recognized seven (7) groups or ten (10) at CACIB shows – five (5) points plus one (1) point for each dog and bitch over the age of six months and exhibited in the Group at the fixture.
- d. **Runner up to Best in Group (Amended 10/23, 7.5.5 – effective 01/01/24)**
Each Runner Up in the recognized seven (7) groups or ten (10) at CACIB shows (must be a challenge or Reserve challenge winner) – ten (10) points less than the Best in Group Winner or breed points whichever is higher, with the minimum being six points.
- e. **Best in Show winner**
Five (5) points plus one (1) point for each dog and bitch exhibited in the Show or breed points whichever is higher, with the minimum being six points.
- f. **Runner up to Best in Show**
Ten (10) points less than the Best in Show Winner or breed points whichever is higher, with the minimum being six points.

10.5.3 The points awarded under (a), (b), (c), (d), (e) and (f) above shall not accumulate and shall, in no case, exceed twenty-five (**25**) points at any one Show for Best of Breed, Best in Group or Best in Show.

10.5.3.1 The points awarded under (a), (b), (c), (d), (e) and (g) above shall not accumulate and shall, in no case, exceed fifteen (15) points at any one Show for Runner Best in Group or **Runner Up to Best Exhibit in Show**. If Breed points account for more than 15 points, no additional points will be allocated.

10.5.4 At shows conducted under the conditions of SECTION 5 - 5.1 Alternative In-Group and In-Show Placing System, the points awarded under (e) and (g) above will be awarded to In Group 2nd and In Show 2nd.

10.6 Neuter Championship Points System

10.6.1 The owner of a neutered dog registered on the main register as neuter with the Dogs Australia which:

- a. Wins not fewer than four Neuter Certificates/Best Neuter of Breed Certificates under not fewer than four different Judges at four different championship shows; and
- b. Gains a total of 100 points, may apply for such dog to be known as a Neuter Champion.

10.6.2 Points shall be allotted for exhibits six (6) months of age and over exhibited in a Neuter Class as follows: **(Amended 02/22, 5.1 - Effective 01/07/22)**

- a. **Neuter Certificate winner – Dogs and Bitches**
Five (5) points plus one (1) point for each Neutered dog of the breed over the age of six months exhibited at the fixture.
- b. **Best of Neuter Certificate winner**
Five (5) points plus one (1) point for each neuter dog and bitch of the breed over the age of six months exhibited at the fixture.
- c. **Best Neuter in Group winner**
Each winner of the recognized seven (7) groups or ten (10) at CACIB shows – five (5) points plus one (1) point for each Neuter dog and bitch over the age of six months and exhibited in the Group at the fixture.
- d. **Runner up to Best Neuter in Group**
Each Runner Up in the recognized seven (7) groups or ten (10) at CACIB shows – ten (10) points less than the Best Neuter in Group Winner or breed points whichever is higher, with the minimum being six points.
- e. **Best Neuter in Show winner**
Five (5) points plus one (1) point for each Neuter dog and bitch exhibited in the Show or breed points whichever is higher, with the minimum being six points.
- f. **Runner up to Best Neuter in Show**
Ten (10) points less than the Best Neuter in Show Winner or breed points whichever is higher, with the minimum being six point.

10.6.3 The points awarded under (a), (b), (c), (d), (e) and (f) above shall not accumulate and shall, in no case, exceed twenty-five (25) points at any one Show. **(Amended 02/22, 5.1 - Effective 01/07/22)**

10.6.4 Only points accrued as a Neutered dog will be accepted towards the Neuter Champion title.

10.6.5 A dog who has gained the title of Champion, Supreme Champion or Grand Champion prior to being entered on the Dogs Australia Main register as Neutered, shall retain such titles in addition to Neutered Champion. These titles shall have precedence and shall appear in front of the Neuter Champion title in the dogs registered name.

10.6.6 The title of Neuter Champion shall fulfill the Conformation Title requirements for Dual and Triple Championships.

10.7 Grand Champion

- 10.7.1 Using the points system as approved by Dogs Australia at the time, a dog will be required to receive **1000** points to be eligible to the title of Grand Champion.
- 10.7.2 All dogs that qualify for the Grand Champion title under Rule 7.6 are eligible to apply for the title after the implementation date of 1 January 2012.
- 10.7.3 A Grand Championship will not be awarded to dogs retrospectively, but a dog will be eligible to be awarded the title of Grand Champion, if they gain some points towards the title of Grand Champion (**1000** points) after the implementation date of 01 January 1998.

10.8 Neuter Grand Champion

- 10.7.1 Using the points system as approved by Dogs Australia at the time, a dog will be required to receive **1000** points to be eligible to the title of Neuter Grand Champion

10.9 Supreme Champion

- 10.9.1 Using the points system as approved by Dogs Australia at the time, a dog will be required to attain the following qualifications to be eligible to the title of Supreme Champion.
 - a. **1,000** points; and
 - b. **3** All Breeds Best in Shows awarded by **3** different Best in Show Judges; or
 - c. **10** Best in Group/Multi-Breed or Breed Specialty Best in Show awarded by **10** different judges.

- 10.9.2 A Supreme Championship will not be awarded to dogs retrospectively, but a dog will be eligible to be awarded the title of Supreme Champion, if it gained some points towards the title of Supreme Champion (**1000** points) after the implementation date of 01 July 2012.

10.10 International Champion

- 10.10.1 The title International Champion shall be recognised if shown on the Export pedigree of a dog imported into Australia.

10.11 Dogs Australia/FCI Title of International Beauty/Working/Show Champion (CIB/CIT/CIE).

- 10.11.1 Any Dogs Australia registered dog, belonging to a non-working breed as per the FCI Breed Nomenclature, will have to meet the following requirements to be eligible to apply for the title of CIB:

- a. Be awarded at least **4** CACIB in a minimum of **3** different countries under a minimum of 3 different judges from at least **3** different FCI Member countries.
Or
- b. Be awarded at least **4** CACIB in a minimum of **2** Australian States under a minimum of **3** different judges from at least **3** different FCI Member countries.

- 10.11.2 The CACIB can be granted in both foreign countries and Australian States. In that case the States are considered as separate entities.

- 10.11.3 There is no timespan between the first and the last award if awarded in Australia.

- 10.11.4 No Dogs Australia registered dog, belonging to a non-working breed as per the FCI Breed Nomenclature, is eligible for the FCI title of CIE (Show Champion).
- 10.11.5 Any Dogs Australia registered dog, belonging to a working breed as per the FCI Breed Nomenclature, will be subject to the official FCI requirements for the FCI title of CIB and CIT (Working).
- 10.11.6 In addition, a Dogs Australia registered dog belonging to a working breed as per the FCI Breed Nomenclature is eligible for the FCI title of CIE (International Show Champion) if it meets the same requirements as for the title CIB.

SECTION 11

11.1 Disqualification from Conformation Exhibition

- 11.1.1 For Conformation purposes, a dog six months of age or over shall not be accepted as physically entire unless both testicles have fully descended and are in the scrotum. Any dog disqualified for this reason at a Conformation Show or otherwise proven shall be placed on the Limited Register and remain there until it can be proved to the satisfaction of the Member body that it is physically entire or in the case of a Neutered dog, in which case it can be moved to the Neuter Register.
- 11.1.2 Dogs with cropped ears cannot be exhibited at any conformation show in Australia.
- 11.1.3 Cutting, piercing, breaking by force or any kind of operation or act of a like kind which alters the natural formation of the dog, is not permitted except as provided for in the Breed Standard.
- 11.1.4 The natural colour or shade of natural colour or the natural markings of a dog shall not be altered or changed.
- 11.1.5 No substance, preparation, powder or fluid shall be applied to and remain on the dog during exhibition to such an extent as to deceive or to be likely to deceive a Judge.
- 11.1.6 A dog exhibited in a wrong class shall be disqualified from further exhibition at that event and all prizes and awards forfeited.
- 11.1.7 A dog cannot be entered in the name of a deceased person once the administration of that person's estate has been finalised. **(Added 10/20, 5.8. Effective 01/01/21)**
- 11.1.8 A dog may be disqualified from competition or exhibition and/or the exhibitor from retaining any prizes awarded in connection with it at a conformation Show, where the dog has been exhibited in contravention of Rules or Regulations of Dogs Australia or Member Body.
- 11.1.9 Disqualifying faults from the breed standard are not recognized as disqualifications from exhibition but may be recognised as serious breed conformation faults (with the exception of the CACIB Show conducted under regulation Part 5. Section 6).

SECTION 12

12.1 Access to Exhibition Grounds

- 12.1.1 A dog exhibitor who has already paid an entry fee to the Dog Section of the show, shall not be required to pay a gate admission charge into the fixture.

SECTION 13

13.1 Use of Firearms

- 13.1.1 Dogs Australia disapproves the use of firearms, including imitation firearms and starting pistols, at any conformation show.

SECTION 14

14.1 Use of Breed Standards at Shows

- 14.1.1 It is mandatory for a copy of the Breed Standards to be made available by the Club holding a show for all judges. Clubs must provide a copy of the breed standards or a link to them on the Dogs Australia Website for Judges who reside outside Australia.
- 14.1.2 Judges are to be encouraged to refer to the Breed Standards whilst judging.

SECTION 15

15.1 Collars

- 15.1.1 Under no circumstances is a dog permitted to wear electric, spike, prong, pinch, uppy or similar collars at any exhibition or at any other event conducted by an affiliate including training sessions